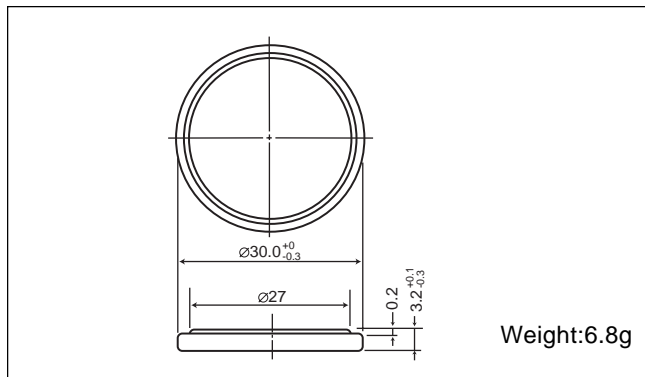


Manganese Dioxide Lithium Coin Batteries: Individual Specifications

CR3032

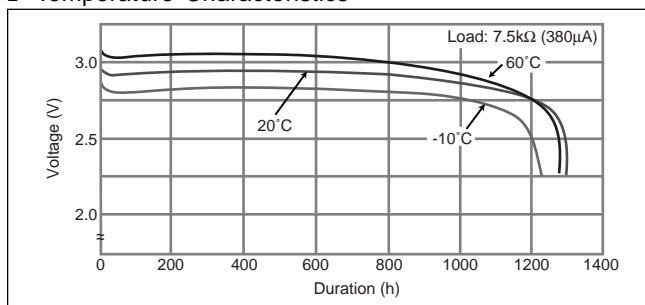
□ Dimensions(mm)



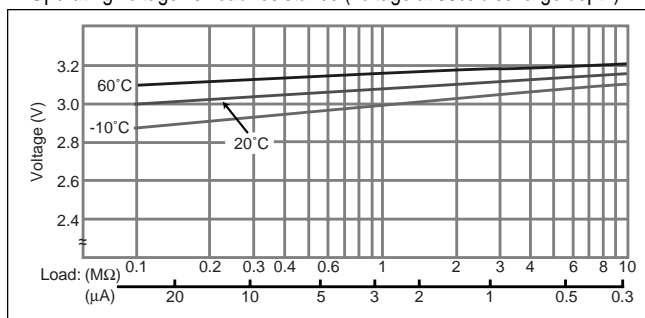
□ Specification

Nominal voltage (V)	3
Nominal capacity (mAh)	500
Continuous standard load (mA)	0.2
Operating temperature (C)	-30 ~ +60

□ Temperature Characteristics



□ Operating voltage vs. load resistance (voltage at 50% discharge depth)



□ Capacity vs. load resistance

